



blueSeal original

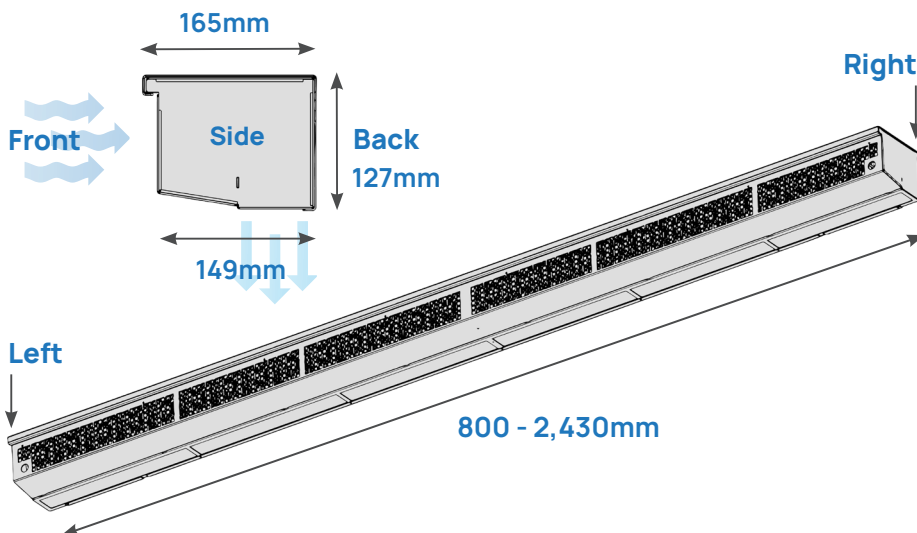
the air curtain that keeps the cold inside

Brightec's innovative BlueSeal air curtains are perfected for temperature controlled road transport, designed to keep the cold or heat inside your vehicle.

Our most popular air curtain is driver friendly, installs easily and quietly provides a strong air barrier. Used widely in food distribution and the pharmaceutical industry, BlueSeal air curtain helps keep goods preserved for longer by creating an effective, invisible air barrier.

Technical specifications

LENGTH	800MM – 2,430MM (IN INCREMENTS OF 10MM)
HEIGHT	127MM
DEPTH	149MM
MATERIAL	ALUMINIUM (ANODIZED)
FANTYPE	AXIAL
# FANS	27
VOLTAGE	24V AND 12V
ELECTRIC POWER	120W (50W PER METRE)
ELECTRIC CURRENT	5.0A (2.0A PER METRE)
POWER CABLE POSITION	RIGHT OR LEFT. FRONT, BACK OR THROUGH SIDE
AIR FLOW	36 M ³ /MIN. (15 M ³ /MIN. PER METRE)
ENVIRONMENTAL TEMP	-25 TO +50 °C
WEIGHT	12.8 KG (5.3 KG PER METRE)
NOISE	<60 DB (PIEK CERTIFIED BY CEMAFROID)



Reduction of fuel
By saving ca. 30% cooling fuel, the payback period can be as short as 8 months

Fits in any vehicle
BlueSeal Original fits in all types of road transport vehicles; trailers, box trucks, vans (incl. vehicles with roll-up doors)

Easy to install
Installation is easy with our click-to-mount system