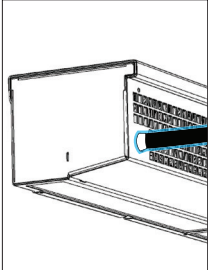




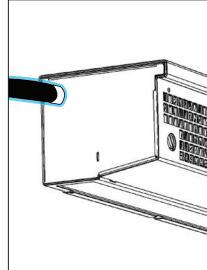
Type overview BlueSeal Original

Length	Model	Mounting bracket	Cable position		Voltage	Cable specs.	
Length of air curtain (mm)	O = Original	R = Regular E = Enclosed S = Stainless Steel	L = Left R = Right	F = Front S = Side B = Back	12V or 24V	Cable length (m)	Cable thickness in mm ² N = Normal = 2.5mm ² T = Thick = 4mm ² F = Flat = 2.5mm ²
Example type indication of 2430mm BlueSeal Original air curtain, with Regular mounting bracket, with power cable positioned on Right, Back side, 24V, 5 metre long, Normal cable thickness							
2430-*	O-	R-	R	B-	24-	5	N

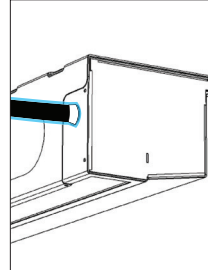
Cable positions



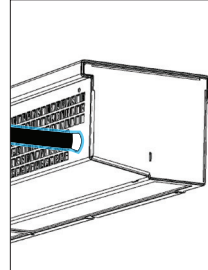
Left Front (LF)
O-[.]-LF-[...]



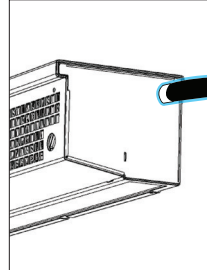
Left Side (LS)
O-[.]-LS-[...]



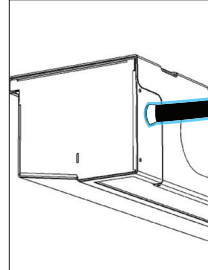
Left Back (LB)
O-[.]-LB-[...]



Right Front (RF)
O-[.]-RF-[...]

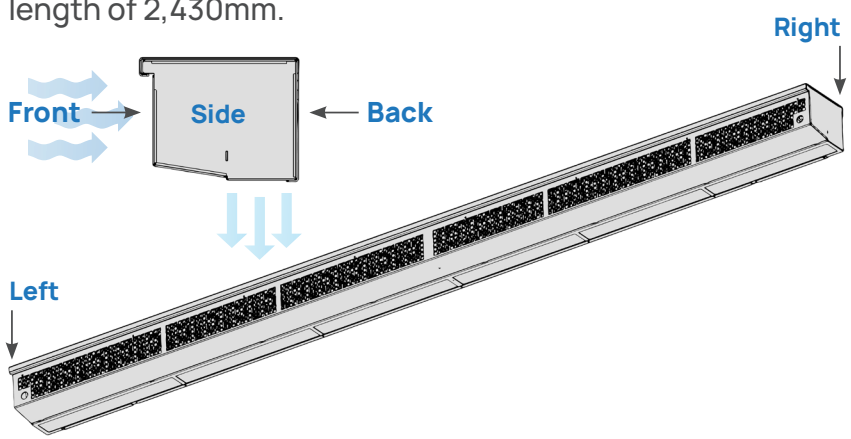


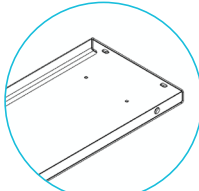
Right Side (RS)
O-[.]-RS-[...]



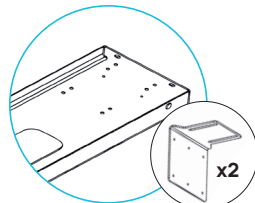
Right Back (RB)
O-[.]-RB-[...]

* BlueSeal air curtains can be tailored to size depending on the measurements of your vehicle, with a maximum length of 2,430mm.

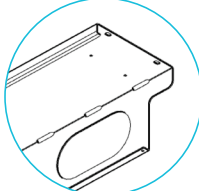




Regular mounting bracket



Stainless steel bracket for roller/shutter door



Enclosed mounting bracket